

# INSTALLATION INSTRUCTIONS

MODELS: CONTOUR 0036

LED LINEAR™  
lighting solutions

## ATTENTION

Please read all safety and assembly instructions prior to installation and keep for future reference.

1. Product should be installed by a qualified electrician with regards to all applicable electrical and safety standards.
2. Ensure power is shut off at the electrical panel prior to installation in order to prevent electrical shock.
3. Use only with SELV (Safety Extra Low Voltage)/Class 2 power supplies.
4. Suitable for installation in Dry Locations.
5. Do not operate the product in rolled-up condition.
6. Avoid looking directly into the light source during operation - glare hazard.
7. Do not store packed units over 70° F and over 50% humidity more than 12 months.



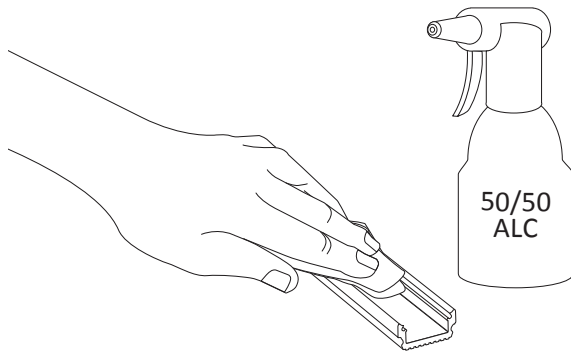
## NOTE

Prior to installation, always test the LED tape with a suitable power supply in order to confirm operation and that the factory connections are secure. LED Linear only honors warranty for supplied material and is not liable for installation errors.



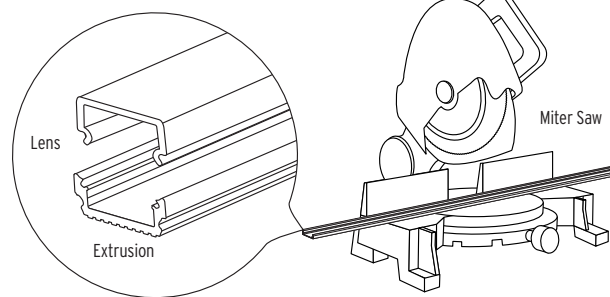
## I. LED INSTALLATION IN ALUMINUM CHANNEL (Contour 0005 is used to illustrate the installation)

### 1 Preparing the Surface



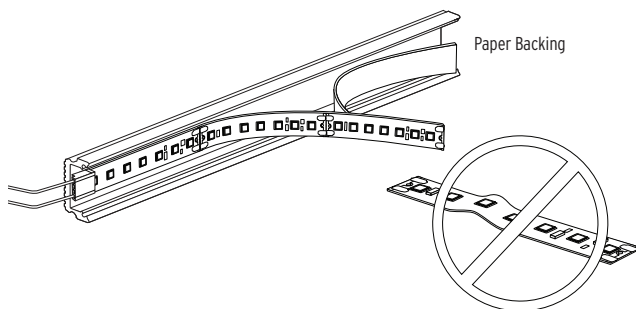
Thoroughly clean the area where tape lights will be installed. Using a 50/50 alcohol mix, clean the area where LEDs will be applied and allow time for alcohol to dry for 5 minutes.

### 2 Field Cutting



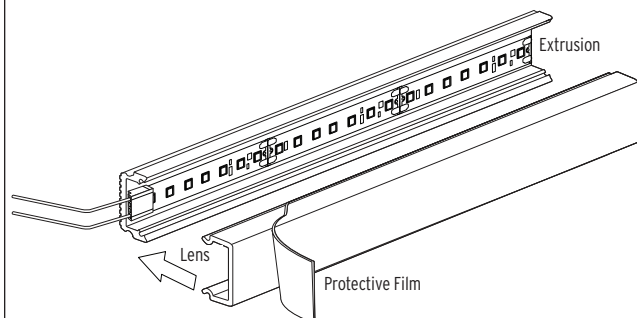
Cut extrusion and lens to the desired length in the field. For short runs (<78"), cut all parts to the same length by using the proper blades for aluminum/plastic cut.

### 3 Assembling Fixture



Attach the quick connector or solder lead wires to one side of the tape. Shorten the LED tape to desired length by cutting along the marked area in between the solder pads. Remove paper backing from the adhesive tape firmly press down onto the aluminum surface. Uncoil and peel minimal amount as you install to avoid collection of debris. Excessive uncoiling and peeling of tape create ripples and air bubbles on the tape that should be avoided.

### 4 Installing Lens



Snap the diffuser lens into the aluminum extrusion. Remove the protective film from the diffuser lens.

# INSTALLATION INSTRUCTIONS

MODELS: CONTOUR 0036

**LED LINEAR™**  
lighting solutions

## ATTENTION

Please read all safety and assembly instructions prior to installation and keep for future reference.



### 5 Installing Endcaps

Feed the lead wires through or behind the endcap. Add Super Glue inside and around end cap to secure it in place. For select models, use torque bit to screw the endcap. If applicable, secure the Quick Connector by adding super glue and pressing it onto the extrusion.

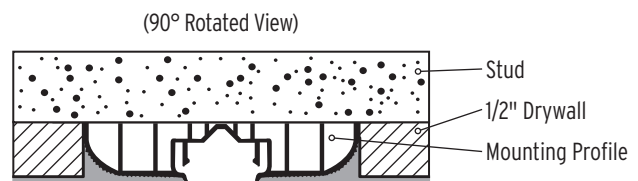
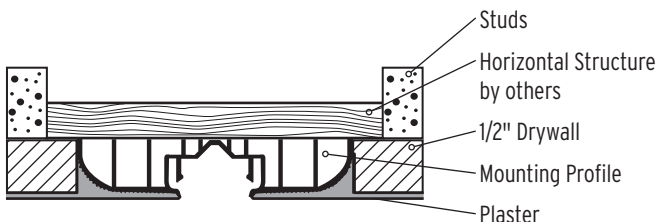
## II. INSTALLATION ON 1/2" DRYWALL (NOTE: Profile is not suitable for mitering corners. Straight installations only.)

### Overview of Vertical Installation

The mounting profile is installed on horizontal structure (prepared by others).

### Overview of Horizontal Installation

The mounting profile is installed directly on existing studs.



# INSTALLATION INSTRUCTIONS

MODELS: CONTOUR 0036

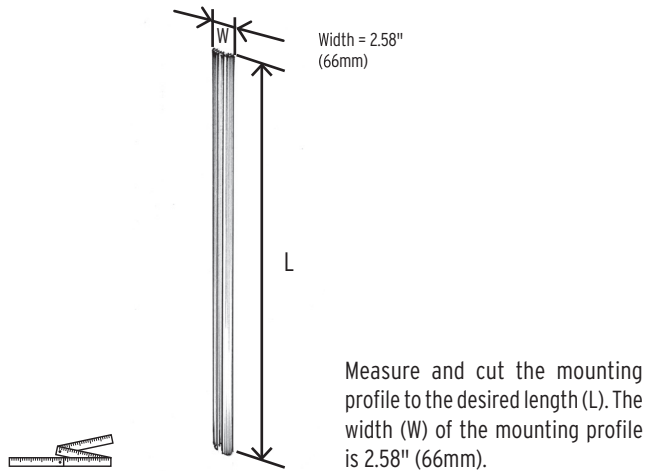
LED LINEAR™  
lighting solutions

## ATTENTION

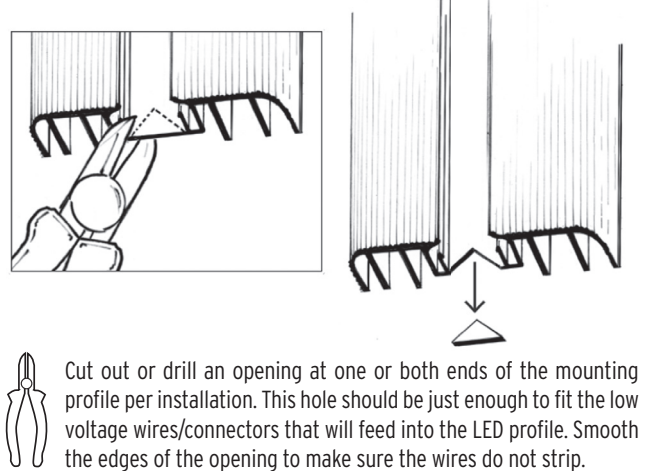
Please read all safety and assembly instructions prior to installation and keep for future reference.



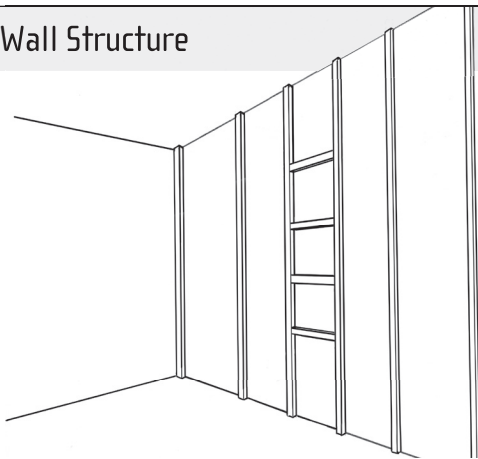
### 1 Measure and Cut



### 2 Prepare Opening

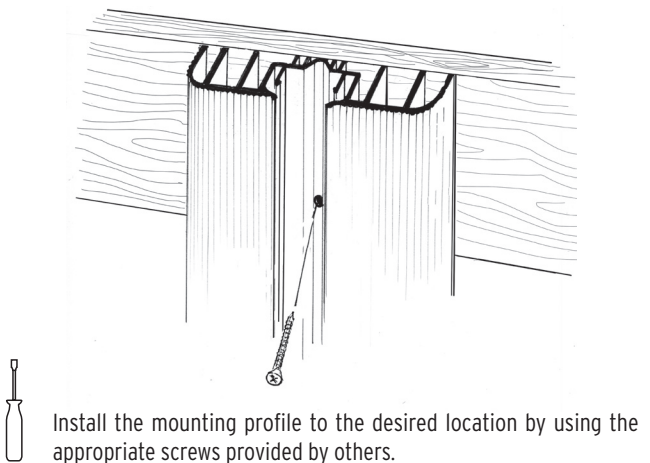


### 3 Wall Structure

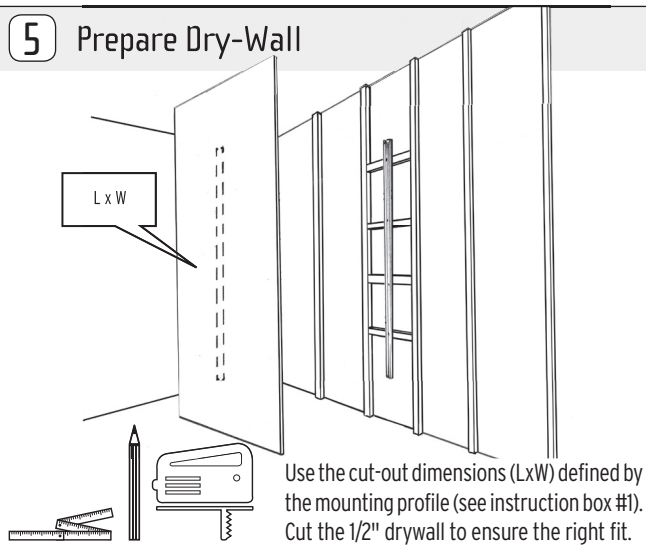


The horizontal structure in between studs should be prepared by other prior to the installation. The structure should be flushed to the studs and should not be sticking out.

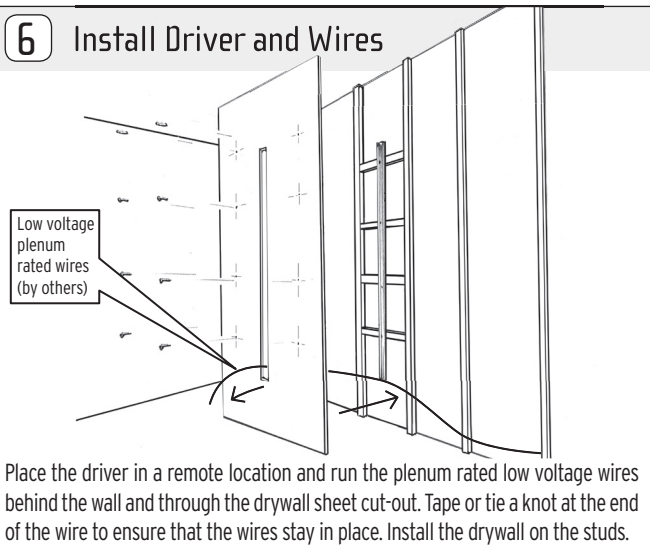
### 4 Install Profile



### 5 Prepare Dry-Wall



### 6 Install Driver and Wires



# INSTALLATION INSTRUCTIONS

MODELS: CONTOUR 0036

**LED LINEAR™**  
lighting solutions

## ATTENTION

Please read all safety and assembly instructions prior to installation and keep for future reference.



### 7 Finish Drywall

Mounting Profile

1/2" Drywall Sheet

Drywall Tape

Plaster

Plaster

Cover over the sides of the mounting profile by using drywall tape and plaster. Finish the drywall installation with paint.

### 8 Electrical Connection

Use plenum rated low voltage connectors (by others) to make the electrical connection between the driver and the light profile. Feed the extra wires and connectors through the opening of the mounting profile.

### 9 Powering

Line Voltage

Class 2 Power Supply

Light Profile

Low Voltage

Ensure the correct (wattage & voltage) power supply is used to power the tape. For more information please refer to power supply and LED tape wiring instructions.

### 10 Continuous Circuits

Class 2 Power Supply

Light Profile 1

Light Profile 2

Maximum run length of the tape depends on the power supply specifications. For continuous runs, place the power supplies either at both ends of the run or in the middle of the run next to each other.

### 11 Snap and Feed

CLICK

CLICK

Snap the light profile or profiles into the slot on wall. Feed the extra cables and connectors through the opening on the profile into the wall.

### 12 Completed

Installation is now complete.